

MSUD VALVE PLUG FORM BI 11MM

PVC 3X0.75 black 2m

MSUD

Form BI (11 mm)

230 V AC/DC $\pm 10\%$

LED and suppression

Further cable lengths on request.

Plastic housings with good resistance against chemicals and oils.

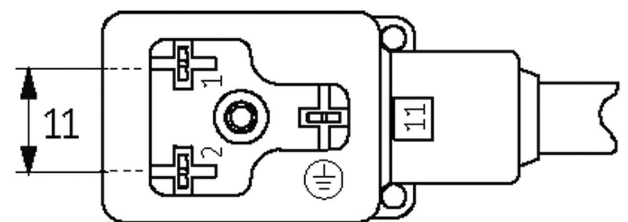
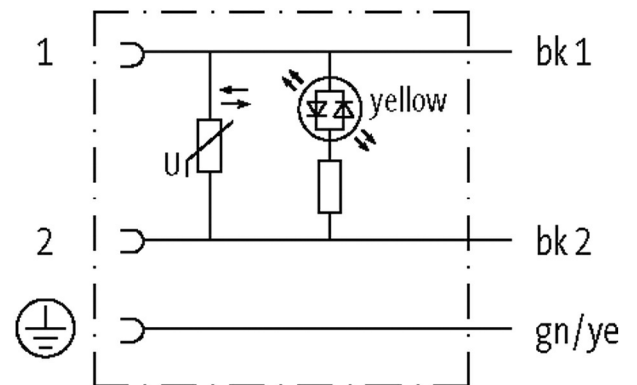
The resistance to aggressive media should be individually tested for your application. Further details on request.

Illustration

stay connected



Height: 30 mm



Product may differ from Image

Approvals



Form

Form 11051

General data

Temperature range -25...+85 °C, depending on cable quality

Cables

| | |
|------------------------------------|--|
| No./diameter of wires | 3 × 0.75 mm ² |
| Wire isolation | PVC (bk num, gnye) |
| Material (jacket) | PVC |
| Outer Ø | 5.9 mm ±5% |
| Bend radius (moving) | 10 × outer Ø |
| Temperature range (fixed) | -30...+70 °C |
| Temperature range (mobile) | -5...+70 °C |
| Cable identification | 616 |
| Cable Type | 1 (PVC) |
| Approval (cable) | CE conform |
| Cable weight [g/m] | 61,60 |
| Material (wire) | Cu wire, bare |
| Resistor (core) | max. 26 Ω/km (20 °C) |
| Single wire Ø (core) | 0.2 mm |
| Construction (core) | 24 × 0.2 mm (multi-strand wire class 5) |
| Diameter (core) | 3 × 0.75 mm ² |
| AWG | similar to AWG 18 |
| Material (wire isolation) | PVC |
| Material property (wire isolation) | CFC-, cadmium-, silicone- and lead-free |
| Shore hardness (wire isolation) | 43 ±5 D |
| Wire-Ø incl. isolation | 1.8 mm ±5% |
| Color/numbering of wires | bk numbered, gnye longitudinally striped |
| Stranding combination | 3 wires twisted |
| Shield | no |
| Material (jacket) | PVC |
| Material property (jacket) | CFC-, cadmium-, silicone- and lead-free |
| Shore hardness (jacket) | 80 ±5 A |
| Outer-Ø (jacket) | 5.9 mm ±5% |
| Color (jacket) | black |
| chemical resistance | good resistance to oil, gasoline and chemicals |
| Nominal voltage | 300/500 V AC |
| Test voltage | 3000 V AC |
| Current load capacity | to DIN VDE 0298-4 |
| Temperature range (fixed) | -30...+70 °C |
| Temperature range (mobile) | -5...+70 °C |
| Bend radius (fixed) | 5 × outer Ø |
| Bend radius (moving) | 10 × outer Ø |
| Jacket Color | black |

Technical Data

| | |
|-------------------------------|---|
| Operating voltage | 230 V AC/DC ±10% |
| Operating current per contact | max. 0.5 A |
| Switch off peak | max. 560 V |
| Switch off delay time | max. 20 ms |
| Locking of ports | M3 (recommended torque 0.4 Nm) |
| Housing | Black plastic (gray on request) |
| Protection | IP66K, IP67 inserted and tightened (EN 60529) |

| | |
|---------------------|--------|
| Rated surge voltage | 4.0 kV |
|---------------------|--------|

Commercial data

| | |
|-------------------|----|
| country of origin | CZ |
|-------------------|----|

| | |
|-----------------------|----------|
| customs tariff number | 85444290 |
|-----------------------|----------|

| | |
|-----|---------------|
| EAN | 4048879220972 |
|-----|---------------|

| | |
|--------|----------|
| eClass | 27279218 |
|--------|----------|

| | |
|----------------|---|
| Packaging unit | 1 |
|----------------|---|